



BICONIC BLENDER

Facility of moving from one mix to another

APPLICATIONS

- Mixing or blending different materials:
- Dry products (powder, granules or crystals,
- Example:
 - o chemicals, pharmaceuticals, (pigments, insecticides, fertilizers, detergent, plastic ...)
 - o Mineral substances (coal, graphite ...)
 - o Food and vegetable products (spices, tobacco ...)
- Under certain conditions and in some cases, the blender might be used to mix humid products with constant physical or chemical characteristics



WORKING PRINCIPLE



- A biconic shaped vessel is fixed to a horizontal shaft and rotates around its axis, generating three movements for the product: lifting, rolling and projecting,
- The material follows the movement of the tank. As a result a homogeneous mixing of the product is reached.
- Batch charging system.
- Quick blending,
- Easy clean, no residual product at each batch end - CIP possible.



LESSINE
TAILORED BULK TECHNOLOGIES

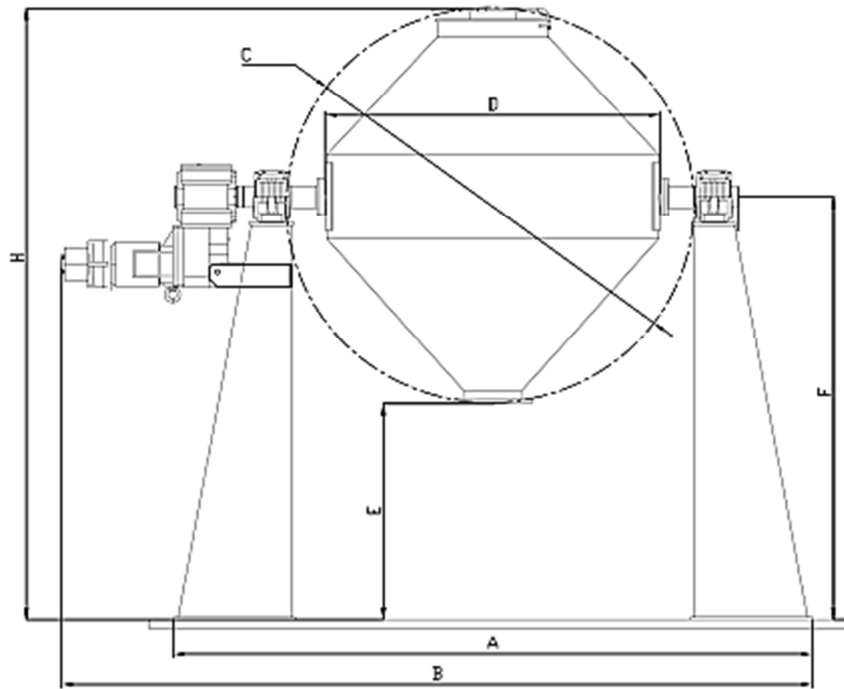
LESSINE BENEFITS



TAILOR-MADE SOLUTIONS:

- ACCORDING TO THE SPECIFICITIES OF YOUR PROJECT: TECHNOLOGY, DIMENSIONS, INVESTMENT, COST, CONSTRUCTION...
- ACCORDING TO ON YOUR NEED: TRANSPORT, AUTOMATION, INSTALLATION, COMMISSIONING, SPARE PARTS...
- FROM THE CONCEPTION STAGE > R&D, DEVELOPMENT, TEST AND FEASIBILITY.

- Drive: direct, gear or chain transmission.
- Self-aligning bearings, welded construction, vessel eventually polished. Lining on request.
- Inlet and outlet nicely sealed.
- Carbon steel or stainless steel construction.
- Corners and cones properly finished to eliminate any remaining residue.
- Positioner for heavy equipment with loading and unloading control (on request).
- Optional vessel positioning switches
- Manual or motorized control.



TECHNICAL SPECIFICATIONS

MODEL	CAPACITY		POWER/ SPEED		OVERALL DIMENSIONS							INLET Ø (mm)	OUTLET Ø (mm)
	Total	Practical	kW	TPM	A	B	C	D	E	F	H		
MBC50	50	33	0.55	25	1220	1465	600	500	550	850	1150	200	125
MBC100	100	65	0.75	25	1400	1650	800	650	400	800	1200	200	125
MBC200	200	130	1.1	22	1600	2100	950	800	500	925	1350	300	200
MBC400	400	260	2.2	20	1850	2300	1275	1000	300	938	1575	300	200
MBC600	600	390	3	20	2300	2750	1400	1150	300	1000	1700	300	200
MBC1000	1000	650	4	16	2500	3100	1700	1350	300	1150	2000	350	250
MBC1500	1500	975	4	16	3000	3600	1950	1550	400	1400	2050	350	250
MBC2000	2000	1300	5.5	12	3150	3750	2050	1650	500	1550	2600	350	250
MBC3000	3000	1950	7.5	12	3660	4300	2300	1900	600	1750	2900	350	300
MBC4000	4000	2500	7.5	10	3900	4650	2700	2000	750	2100	3450	400	350
MBC6000	6000	3900	11	10	4250	5100	2900	2200	750	2200	3650	400	350
MBC8000	8000	5200	15	10	4600	5500	3100	2500	750	2300	3850	500	400
MBC10000	10000	6500	15	10	4800	5800	3200	2750	750	2350	3950	500	500

