



I Application

Due to the choice of materials and its design, PROLAC HCP is appropriate for applications requiring a high level of hygiene, gentle handling of the product and resistance to chemical agents.

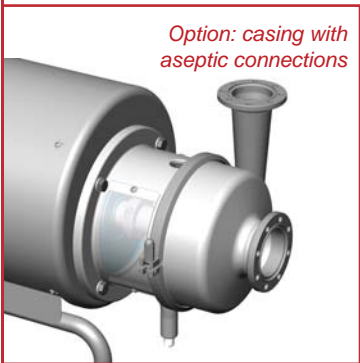
It is particularly suitable as main process pump in the dairy, beverage, pharmaceutical and cosmetic industries.

I Design and features

PROLAC HCP is a range of close-coupled centrifugal pumps with hygienic design, compact and highly efficient. It is made of a cold-formed stainless steel casing, impeller, mechanical seal, pump cover, lantern and shaft, connected to the motor shaft by mechanical compression.

The motor complies with the IEC standards, it is protected with a stainless steel shroud and provided with the height adjustable hygienic designed legs.

The pump is EHEDG certified, it is especially designed for CIP/SIP without disassembly.

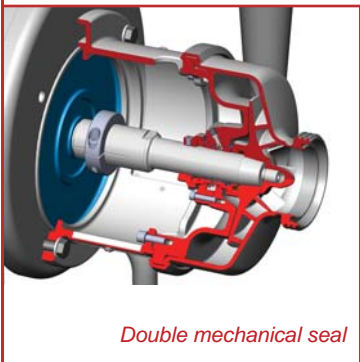


Option: casing with aseptic connections

I Mechanical seal

The PROLAC HCP pump is provided with a internal single mechanical seal. The seal is balanced and has a hygienic design. As standard, the stationary part is in carbon and the rotary part is in silicon carbide, the gaskets are in EPDM. However, when required, both parts of the mechanical seal can be in silicon carbide as well as the gaskets can be in FPM.

There is also an option of assembly of a double mechanical seal made of two identical seals. It helps to upgrade a pump with single seal and simplifies its maintenance.



Double mechanical seal



I Technical specifications

Materials

Parts in contact with the product	Stainless steel AISI 316L (1.4404)
Other steel parts	Stainless steel AISI 304 (1.4301)
Gaskets in contact with the product	EPDM

Mechanical seal

Rotary part	Silicon carbide (SiC)
Stationary part	Carbon (C)
Gaskets	EPDM

Surface finish

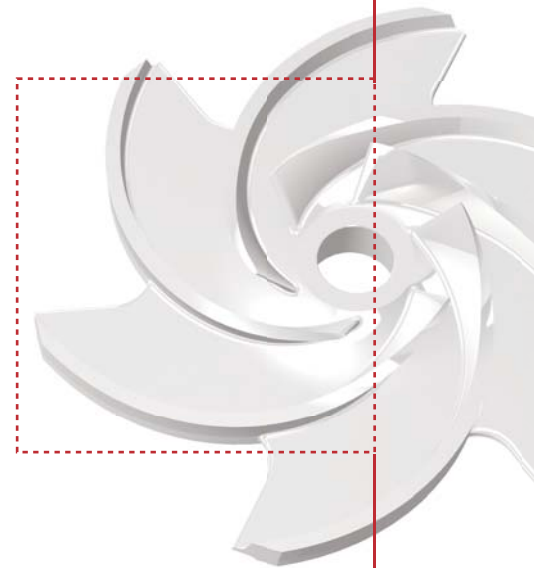
External	Matt
Internal	Bright polish Ra<0,8µm

Connections

DIN 11851 (standard)
 Aseptic flange DIN 11864
 CLAMP
 SMS
 (other connections available on request)

Operating limits

Nominal pressure	1600 kPa (16 bar)	232 PSI
Temperature range	-10°C to +120 °C	14 °F to 248 °F
	+140°C (SIP, max. 30 min.)	284 °F
Maximum flow	220 m³/h	968 US GPM
Maximum differential head	140 m	459 ft
Maximum speed	3600 rpm	



I Motor

Triphasic induction motor with B5 flange and B3 legs, in compliance with the IEC standards, 2 poles = 3000/3600 rpm, IE-2 efficiency class, IP 55 protection and F-class insulation.

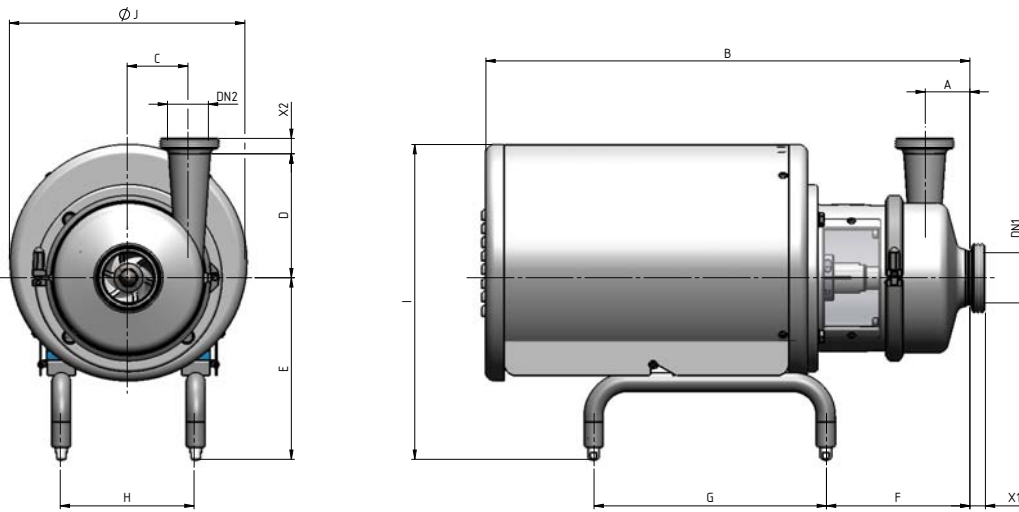
3 phases, 50 Hz, 220-240 V Δ / 380-420 V Y, ≤ 4 kW
 3 phases, 50 Hz 380-420 V Δ / 660-690 V Y, ≥ 5,5 kW

I Options

- Pump casing with drain port.
- Pump casing with heating chamber.
- Different types of connections.
- SiC/SiC mechanical seal.
- Double mechanical seal.
- FPM gaskets.
- Motor with other voltages, frequencies and protection classes.
- Motor for explosive atmospheres or with enhanced safety level.



I Dimensions



Dimensions X₁, X₂

	DN ₁	DN ₂	DIN 11851		DIN 11864		SMS		CLAMP	
			X ₁	X ₂	X ₁	X ₂	X ₁	X ₂	X ₁	X ₂
40-110	50 2"	40 1½"	22,5	22	25,5	25,5	23	23	28,5	14
40-150										
40-205										
50-150	65 2½"	50 2"	26	20	25,5	25,5	27	23	28,5	21
50-190										
50-260										
65-175	80 3"	65 2½"	25	25	27,5	25,5	27	27	29	28,5
65-215										
65-250										
80-175	100 4"	80 3"	30	40	27,5	27,5	30	27	21,5	29
80-205										
80-240										



The information contained in this brochure is for guidance only. We reserve the right to modify any material or feature without notice in advance. For further information, please, consult our web site. www.inoxpa.com



I Dimensions

	kW	Motor	DN ₁	DN ₂	A	B	C	D	E	F	G	H	I	ØJ	kg
HCP 40-110															
	0,37 ⁽¹⁾	71	50	40	39	439	53	130	203	119	250	112	331	220	18
	0,55	71	50	40	39	439	53	130	203	119	250	112	331	220	19
	0,75	80	50	40	39	514	53	130	217	140	275	132	376	270	26
HCP 40-150															
	0,75 ⁽¹⁾	80	50	40	46,5	539	76	140	217	165	275	132	376	270	30
	1,1	80	50	40	46,5	539	76	140	217	165	275	132	376	270	32
	1,5	90	50	40	46,5	539	76	140	227	171	275	132	386	270	36
	2,2	90	50	40	46,5	539	76	140	227	171	275	132	386	270	35
HCP 40-205															
	1,5 ⁽¹⁾	90	50	40	45	539	109	175	227	171	275	132	386	270	42
	2,2	90	50	40	45	539	109	175	227	171	275	132	386	270	41
	3	100	50	40	45	617	109	175	266	169	325	175	451	330	52
	4	112	50	40	45	617	109	175	278	175	325	175	463	330	58
	5,5	132	50	40	45	749	109	175	293	199	375	216	508	380	77
	7,5	132	50	40	45	749	109	175	293	199	375	216	508	380	86
HCP 50-150															
	0,75 ⁽¹⁾	80	65	50	56	540	72	170	217	166	275	132	376	270	30
	1,5	90	65	50	56	540	72	170	227	172	275	132	386	270	36
	2,2	90	65	50	56	540	72	170	227	172	275	132	386	270	35
	3	100	65	50	56	618	72	170	266	170	325	175	451	330	47
	4	112	65	50	56	618	72	170	278	176	325	175	463	330	52
HCP 50-190															
	1,5 ⁽¹⁾	90	65	50	59	542	105	210	227	174	275	132	386	270	42
	3	100	65	50	59	620	105	210	266	172	325	175	451	330	52
	4	112	65	50	59	620	105	210	278	178	325	175	463	330	57
	5,5	132	65	50	59	752	105	210	293	202	375	216	508	380	77
	7,5	132	65	50	59	752	105	210	293	202	375	216	508	380	85
HCP 50-260															
	5,5 ⁽¹⁾	132	65	50	72	788	148	250	293	238	375	216	508	380	92
	7,5	132	65	50	72	788	148	250	293	238	375	216	508	380	101
	11	160	65	50	72	1018	148	250	367	283	475	267	642	465	180
	15	160	65	50	72	1018	148	250	367	283	475	267	642	465	189
	18,5	160	65	50	72	1018	148	250	367	283	475	267	642	465	208
	22	180	65	50	72	1018	148	250	387	324,5	475	267	662	465	261

(1) 4-pole motor



The information contained in this brochure is for guidance only. We reserve the right to modify any material or feature without notice in advance. For further information, please, consult our web site. www.inoxpa.com



I Dimensions

	kW	Motor	DN ₁	DN ₂	A	B	C	D	E	F	G	H	I	ØJ	kg
HCP 65-175															
	3 ⁽¹⁾	100	80	65	72	649	98	200	266	201	325	175	451	330	55
	4	112	80	65	72	649	98	200	278	207	325	175	463	330	60
	5,5	132	80	65	72	781	98	200	293	231	375	216	508	380	80
	7,5	132	80	65	72	781	98	200	293	231	375	216	508	380	88
HCP 65-215															
	5,5 ⁽¹⁾	132	80	65	77	787	120	240	293	237	375	216	508	380	85
	7,5	132	80	65	77	787	120	240	293	237	375	216	508	380	93
	11	160	80	65	77	1017	120	240	367	282	475	267	642	465	173
	15	160	80	65	77	1017	120	240	367	282	475	267	642	465	182
	18,5	160	80	65	77	1017	120	240	367	282	475	267	642	465	201
HCP 65-250															
	5,5 ⁽¹⁾	132	80	65	77,5	789	144	280	293	239	375	216	508	380	92
	11	160	80	65	77,5	1019	144	280	367	284	475	267	642	465	180
	15	160	80	65	77,5	1019	144	280	367	284	475	267	642	465	189
	18,5	160	80	65	77,5	1019	144	280	367	284	475	267	642	465	208
	22	180	80	65	77,5	1019	144	280	387	325,5	475	267	662	465	261
	30	200	80	65	77,5	1059	144	280	412	318,5	530	318	807	650	312
HCP 80-175															
	3 ⁽¹⁾	112	100	80	79	655	91	185	278	213	325	175	463	330	55
	4	112	100	80	79	655	91	185	278	213	325	175	463	330	61
	5,5	132	100	80	79	787	91	185	293	237	375	216	508	380	80
	7,5	132	100	80	79	787	91	185	293	237	375	216	508	380	89
	11	160	100	80	79	1017	91	185	367	282	475	267	642	465	169
	15	160	100	80	79	1017	91	185	367	282	475	267	642	465	178
HCP 80-205															
	5,5 ⁽¹⁾	132	100	80	81	792	113	220	293	242	375	216	508	380	85
	11	160	100	80	81	1022	113	220	367	287	475	267	642	465	173
	15	160	100	80	81	1022	113	220	367	287	475	267	642	465	182
	18,5	160	100	80	81	1022	113	220	367	287	475	267	642	465	201
	22	180	100	80	81	1022	113	220	387	328,5	475	267	662	465	253
HCP 80-240															
	5,5 ⁽¹⁾	132	100	80	86	799	138	275	293	249	375	216	508	380	93
	7,5 ⁽¹⁾	132	100	80	86	799	138	275	293	249	375	216	508	380	106
	15	160	100	80	86	1029	138	275	367	294	475	267	642	465	209
	18,5	160	100	80	86	1029	138	275	367	294	475	267	642	465	261
	22	180	100	80	86	1029	138	275	387	335,5	475	267	662	465	313
	45	225	100	80	86	1099	138	275	437	344,5	530	356	830	650	401

(1) 4-pole motor



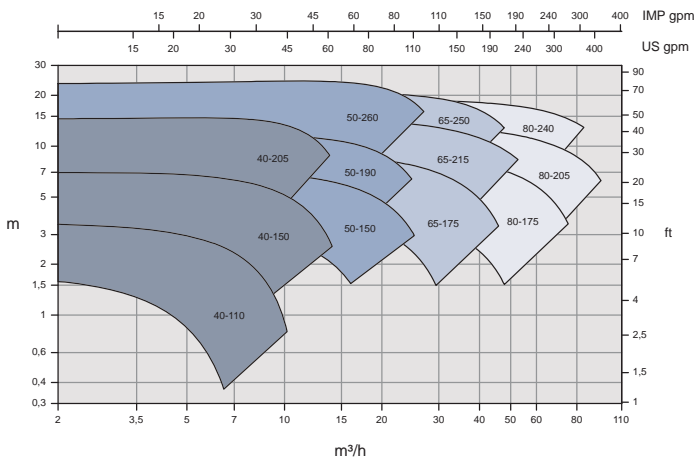
The information contained in this brochure is for guidance only. We reserve the right to modify any material or feature without notice in advance. For further information, please, consult our web site. www.inoxpa.com



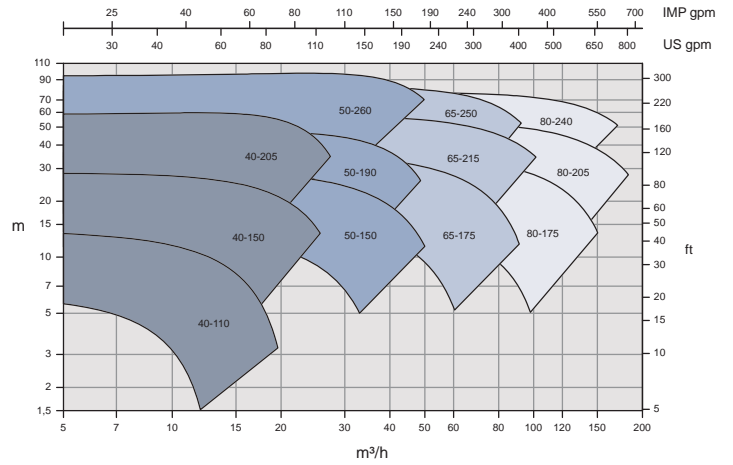
I Performance charts

50 Hz

1450 rpm

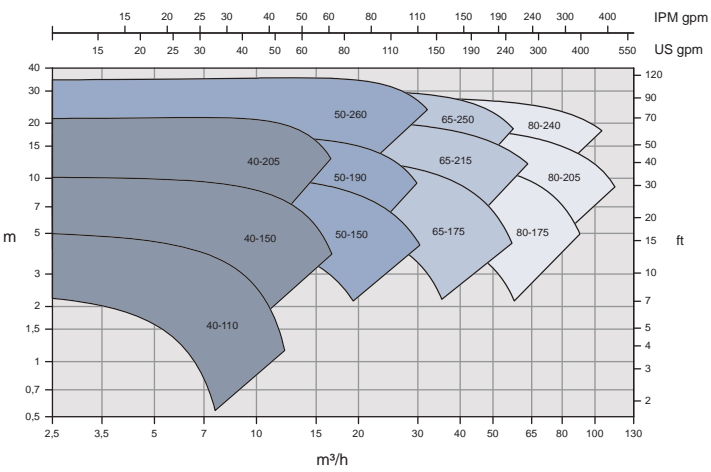


2900 rpm

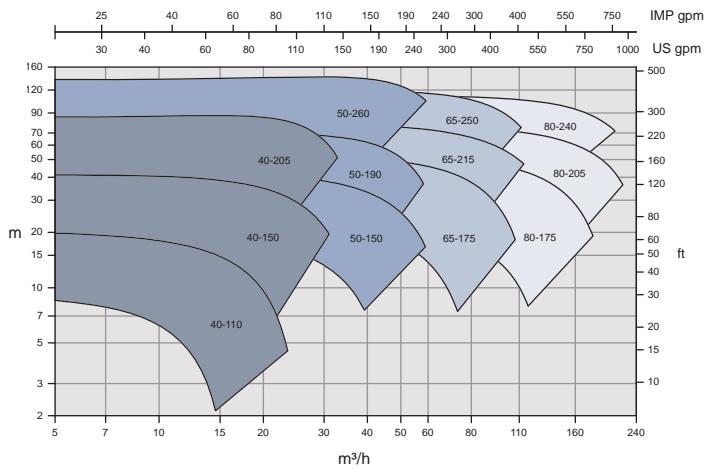


60 Hz

1750 rpm



3500 rpm



The information contained in this brochure is for guidance only. We reserve the right to modify any material or feature without notice in advance. For further information, please, consult our web site. www.inoxpa.com

