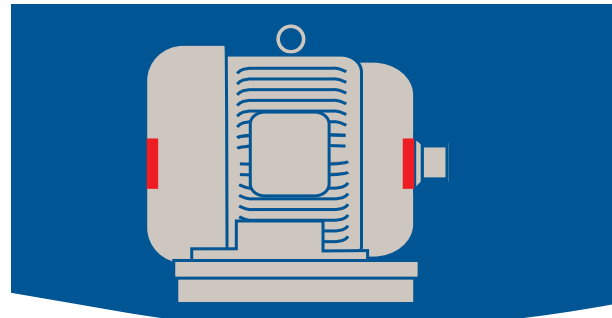




Bearing Gard™ bearing isolator with electrical grounding

Bearing Gard isolators with AEGIS® grounding ring technology provide superior reliability and extended life for electric motors using Variable Frequency Drives

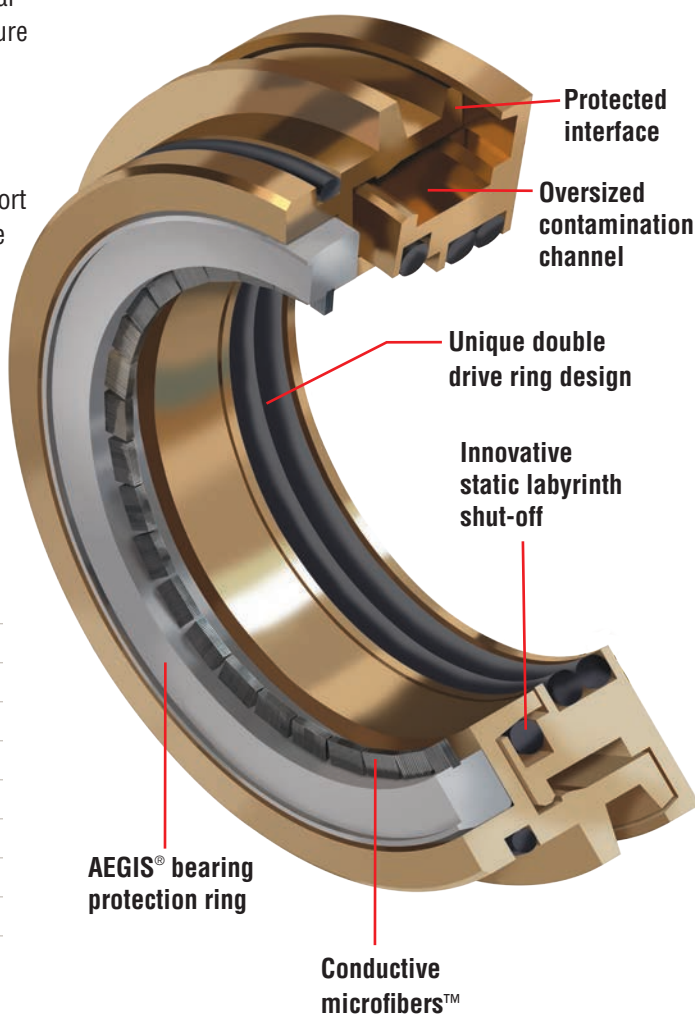
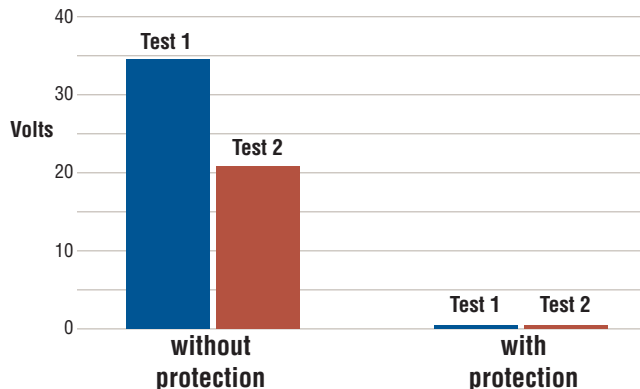


Complete motor protection

The growing population of Variable Frequency Drives (VFDs) as motor controllers has revealed electrical grounding through the bearings to be a major cause of premature motor failure. The Bearing Gard with electrical grounding is specifically designed to prevent motor failure from electrical fluting and contamination ingress.

- Bearing Gard technology provides superior static and dynamic protection against contamination ingress
- AEGIS® bearing protection ring utilizes Electron Transport Technology™ and conductive microfibers™ to provide the most reliable current diversion technology
- Prevents electrical discharge damage including fluting in bearings
- Protects against lubrication breakdown due to electrical arcing and contamination
- Standard design accommodates axial shaft movement of 0.63 mm (0.025 inch) TIR

VFD induced shaft voltage

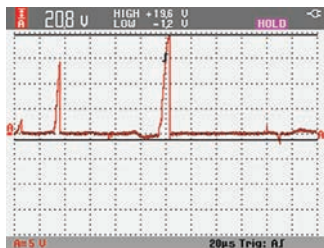


Working to keep industry running, Flowserve offers the Bearing Gard with electrical grounding in many stocked sizes. Custom sizes ship in 2 days or less.

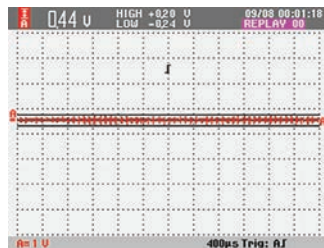
General guidelines for electrical grounding designs:

- Shaft diameters 23 -152 mm (0.875 - 6.000 inch)
- Housing bore: 20 - 50 mm (0.750 - 2.000 inch) over shaft diameter
- Lengths: Standard and Slimline (see cross section view)
- Maximum axial movement: 0.63 mm (0.025 inch) TIR
- Maximum radial runout: 0.13 mm (0.005 inch) TIR
- Shaft temperature: up to 190°C (375°F)
- Speed: up to 5000 rpm
- Rotor and Stator: Bronze
- O-rings: Fluoroelastomer
- Bearing lubrication: Grease or dry lubrication

Reliable discharge of voltage



VFD motor without protection discharges 20.8V through the bearings.



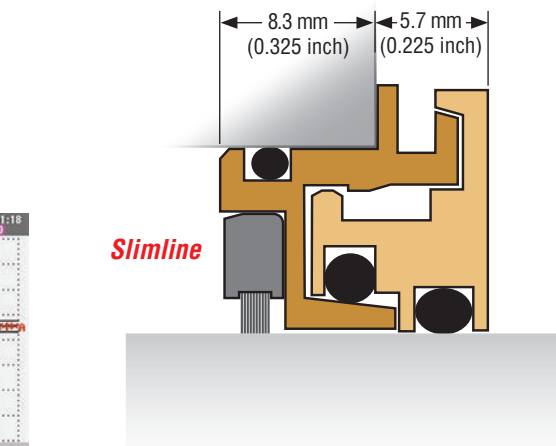
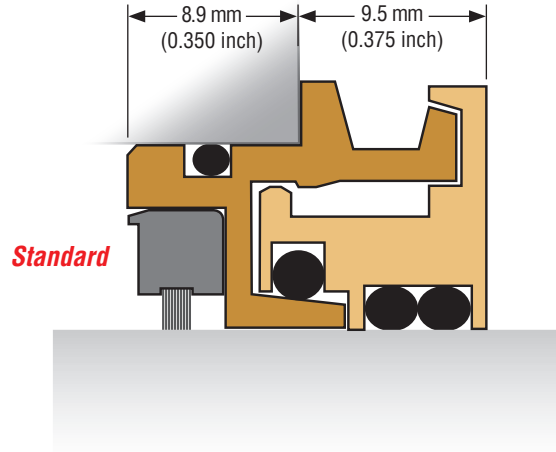
VFD motor and Bearing Gard with electrical grounding provides a 98% drop in shaft voltage

FSD264eng ORG 02-16 Printed in USA

To find your local Flowserve representative
and find out more about Flowserve Corporation visit
www.flowserve.com

Flowserve Corporation has established industry leadership in the design and manufacture of its products. When properly selected, this Flowserve product is designed to perform its intended function safely during its useful life. However, the purchaser or user of Flowserve products should be aware that Flowserve products might be used in numerous applications under a wide variety of industrial service conditions. Although Flowserve can provide general guidelines, it cannot provide specific data and warnings for all possible applications. The purchaser/user must therefore assume the ultimate responsibility for the proper sizing and selection, installation, operation, and maintenance of Flowserve products. The purchaser/user should read and understand the Installation Instructions included with the product, and train its employees and contractors in the safe use of Flowserve products in connection with the specific application.

While the information and specifications contained in this literature are believed to be accurate, they are supplied for informative purposes only and should not be considered certified or as a guarantee of satisfactory results by reliance thereon. Nothing contained herein is to be construed as a warranty or guarantee, express or implied, regarding any matter with respect to this product. Because Flowserve is continually improving and upgrading its product design, the specifications, dimensions and information contained herein are subject to change without notice. Should any question arise concerning these provisions, the purchaser/user should contact Flowserve Corporation at any one of its worldwide operations or offices.



AEGIS® is a registered trade mark of Electro Static Technology, An ITW Company, All rights reserved.

USA and Canada

Kalamazoo, Michigan USA
Telephone: 1 269 381 2650
Telefax: 1 269 382 8726

Europe, Middle East, Africa

Roosendaal, The Netherlands
Telephone: 31 165 581400
Telefax: 31 165 554590

Asia Pacific

Singapore
Telephone: 65 6544 6800
Telefax: 65 6214 0541

Latin America

Mexico City
Telephone: 52 55 5567 7170
Telefax: 52 55 5567 4224