

DISPLACER OPERATED LEVEL SWITCH - CHAMBER TYPE

Side-side connection

MIP TYPE NAD 40

1 - GENERAL

- Side-side connection
- Centre to centre upon request
- 1 to 3 set points

2 - TECHNICAL DATA

Pressure : ISO PN150 - ANSI 900

Temperature : - 40 to + 170° C with MS11B mechanism
 - 40 to + 280° C with MG3T mechanism

Specific gravity : - 0,45 to 1,1 (1 setpoint)
 - 0,7 to 1,1 (3 setpoints)

Centre to centre : up to 3000 mm

3 - ELECTRIC SPECIFICATIONS

Electric mechanism :

- Type MS11B : SPDT reed switch
- Type MG3T : SPDT standard switch sealed Nitrogen atmosphere
- Type MCOS : SPDT mercury switch

INTERRUPTING CAPACITY WITH RESISTIVE LOAD

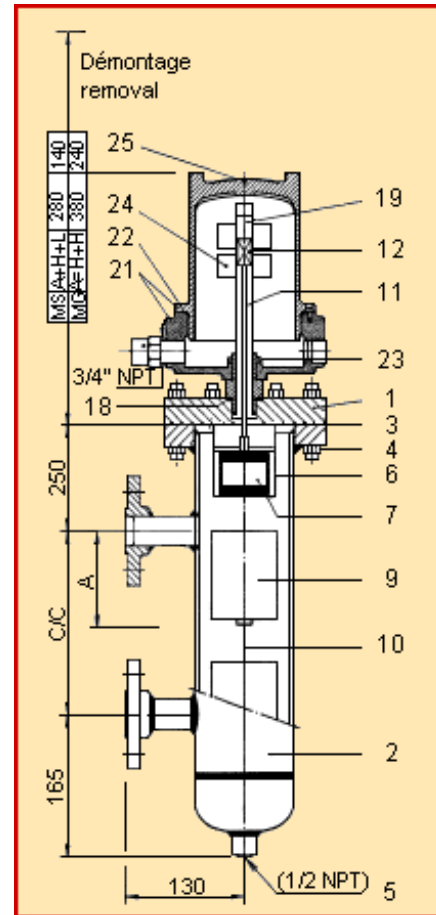
Tension	MS11B	MG3T	MCOS
48 V-	1,25 A	3 A	10 A
110 V-	0,50 A	1 A	10 A
110 V~	0,70 A	5 A	10 A
220 V~	0,35 A	2,50 A	5 A

Electric housing :

- aluminium alloy
- epoxy coated
- screwed casing
- sealing : EPR o-ring
- cable entry 3/4" NPT

3 versions available :

- STD weather proof IP667
- ADF explosion proof EEx d IIC T6 + IP667
- SI intrinsically safe EEx ia IIC T6 + IP667



ITEM	DESIGNATION
1	Flange
2	Chamber
3	Chamber gasket
4	Bolt
5	Drain plug
6	Spring housing
7	Spring
9	Displacer
10	Cable
11	Stem
12	Magnetic sleeve
18	Adapter gasket
19	Adapter
21	Housing
22	O-ring
23	Nut
24	Electrical mechanism
25	Name plate

For further information, please send an E-mail to the following address: instruments@tc-fluidcontrol.com

The characteristics of the products described on this page may be modified without notice, in the interests of regular improvement. In addition, the technical data reproduced here is provided for information only.